



洋山深水港是一项跨区域合作的重大基础设施项目,也是我国第一个离岛港口。洋山港区一期工程包括港区工程、东海大桥、芦潮港辅助配套工程三个部分。其中,港区工程将建设5个7-10万吨级泊位,年吞吐能力300万标准箱以上。西门子能源自动化为上海洋山深水港区 110 kV 开关站及降压站项目提供变电站综合自动化系统,卓越的创新技术和高质量的产品品质为整个港区的安全、稳定供电提供可靠保障。

西门子(中国)有限公司
输配电集团能源自动化

中国南京江宁开发区诚信大道88号华瑞工业园4幢
邮编: 211100
电话: 86 25 51170188 传真: 86 25 52114982

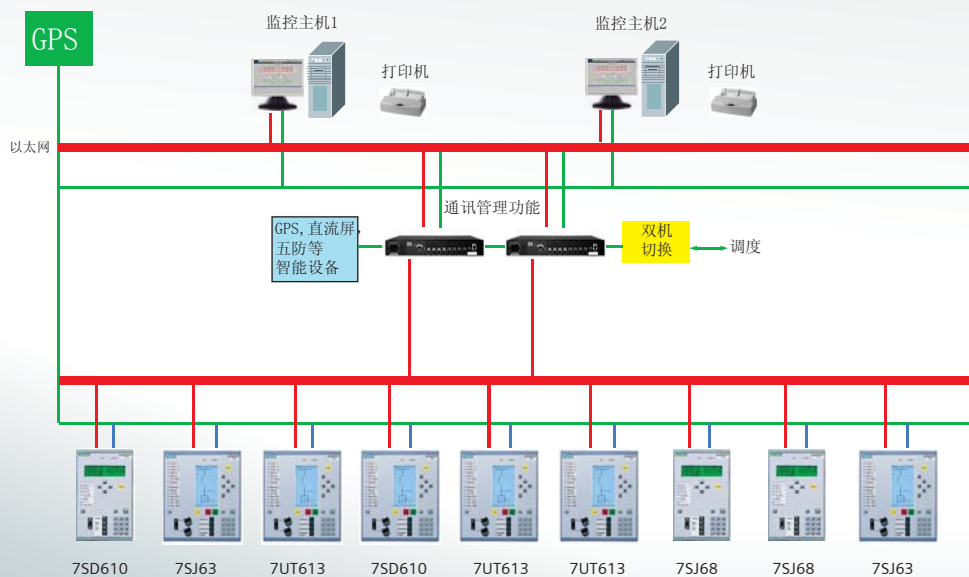
销售联络

北京 电话: 86 10 64763842
上海 电话: 86 21 24085218
广州 电话: 86 20 37182382
成都 电话: 86 28 86199499 分机: 4005
武汉 电话: 86 27 85486688 分机: 5009
深圳 电话: 86 755 26935188 分机: 3311
杭州 电话: 86 571 87652999 分机: 6013
济南 电话: 86 531 82666088 分机: 6506
福州 电话: 86 591 87500888 分机: 5800
西安 电话: 86 29 88319898 分机: 6626

供货范围

SIPROTEC 综合保护装置

- 55台7SJ68 多功能过流保护装置
- 22台7SJ63 多功能过流保护装置
- 4台7UT613 多功能变压器保护装置
- 4台7SD610 线路差动保护装置



上海洋山深水港项目

高质量的电气设备和
服务为整个港口的安全运行
提供强大有力的支持

www.siemens.com.cn/ea

SIEMENS



Yangshan Deepwater Port is one of the key national cross-regional infrastructure projects, and China's first port Islands. Yangshan port project phase I consists of three parts, including the port project, Donghai bridge project, and Luchaogang port accessory project. The port project will include five 7-10t berths with annual capacity over 3 million standard containers. Siemens Energy Automation provided substation automation system for Shanghai Yangshan Deepwater Port 110kV Switch Substation and Step-down Substation. With excellent innovative technology and high quality products, Siemens helps to ensure safe and reliable power supply for the whole port.

Siemens Ltd., China, Power Transmission and Distribution, Energy Automation

Siemens Power Automation Ltd.
 Building 4, Hua Rui Industry Park,
 88 Cheng Xin Avenue, Jiangning Economic &
 Technological Development Zone
 Nanjing, China 211100
 Tel: 86 25 51170188 Fax: 86 25 52114982

Sales Contacts

Beijing Tel: 86 10 64763842
 Shanghai Tel: 86 21 24085218
 Guangzhou Tel: 86 20 37182382
 Chengdu Tel: 86 28 86199499 ext: 4005
 Wuhan Tel: 86 27 85486688 ext: 5009
 Shengzhen Tel: 86 755 26935188 ext: 3311
 Hangzhou Tel: 86 571 87652999 ext: 6013
 Jinan Tel: 86 531 82666088 ext: 6506
 Fuzhou Tel: 86 591 87500888 ext: 5800
 Xian Tel: 86 29 88319898 ext: 6626_

Industry

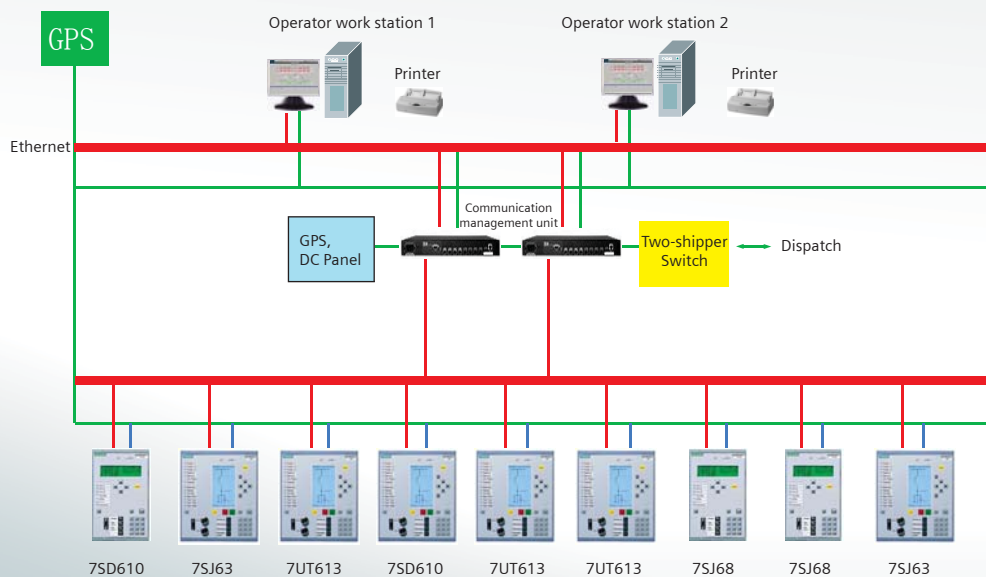
Power Utility

Power Plant

Scope of supply

SIPROTEC Protection Relays

- 55 x7SJ68 multifunction overcurrent protection relays
- 22 x7SJ63 multifunction overcurrent protection relays
- 4 x7UT613 transformer differential protection relays
- 4 x 7SD610 differential protection relays



Shanghai Yangshan Deepwater Port Project

High Quality Power Equipment and Service Ensures the Safe Operation of Yangshan Deepwater Port

www.siemens.com.cn/ea

