



上海曹泾电厂是一个新建的大型百万机组电厂，它既是上海市调整申城煤电厂布局的重要项目，也是为适应上海经济持续发展的要求，发展循环经济，落实节能减排而建设的环保项目。该项目机组建成投运后，将成为华东和上海电网的主力电厂之一。凭借完善的产品功能和可靠的产品质量，西门子为上海漕泾电厂（2×1000MW）提供全套 SICAM1703 电厂网络化控制系统、发电机组保护还有中压保护装置。

西门子(中国)有限公司
输配电集团能源自动化

中国南京江宁开发区诚信大道88号华瑞工业园4幢
邮编：211100
电话：86 25 51170188 传真：86 25 52114982

销售联络

北京 电话：86 10 64763842
上海 电话：86 21 24085218
广州 电话：86 20 37182382
成都 电话：86 28 86199499 分机：4005
武汉 电话：86 27 85486688 分机：5009
西安 电话：86 29 88319898 分机：6626
深圳 电话：86 755 26935188 分机：3311
杭州 电话：86 571 87652999 分机：6013
济南 电话：86 531 82666088 分机：6506
福州 电话：86 591 87500888 分机：5800

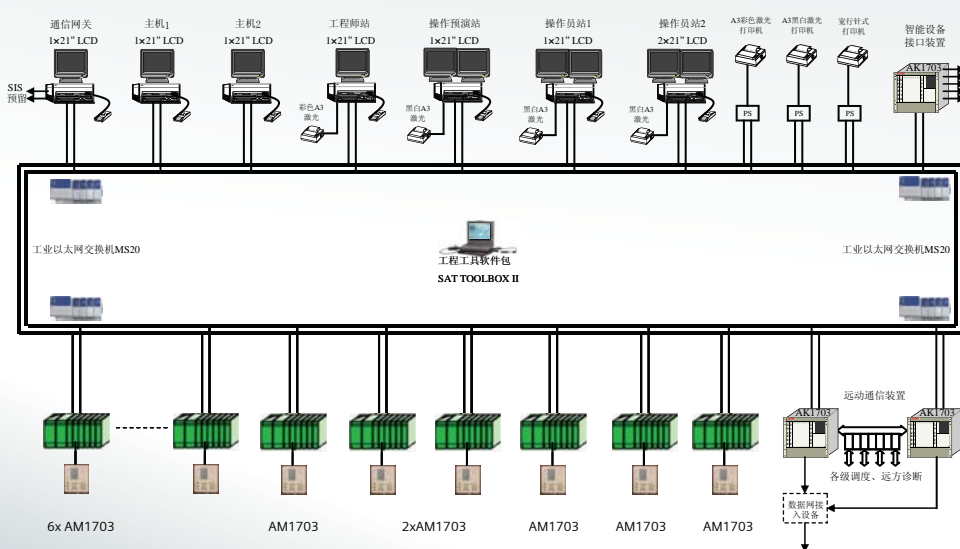
供货范围

供电系统

- 除后台系统外的SICAM1703电厂网控系统
- 2台AK1703 数据处理及通讯装置
- 2台AM1703 I/O 测控单元

SIPROTEC Protection Relays

- 110台7SJ62 多功能过流保护装置
- 43台7SJ68 多功能过流保护装置
- 98台7UT612 变压器保护装置
- 13台7UT613 变压器保护装置
- 12台7UM6 发电机保护装置
- 6台7UT635 变压器保护装置
- 8台7SD6 线路差动保护装置
- 174台7PA 辅助保护装置
- 3台6MD61 测控单元



上海漕泾电厂（2×1000MW）500kV升压站计算机监控系统配置图

上海漕泾2x1000MW电厂项目

SICAM 1703电厂网控系统解决方案

www.siemens.com.cn/ea

SIEMENS



Shanghai Caojing Power Plant is a newly established power plant with 2x1000MW units. It is not only an important project which is built to adjust the coal-fired power plant distribution in Shanghai but also an environment protection project which meets the demand of sustainable economy development and expanding recycling economy. It will be one of the main power plants in Shanghai even in East Region. With excellent product performance and reliable quality, Siemens provided completely SICAM 1703 Network Controlling System (NCS) and generator-transformer set protection as well as middle voltage protection for Shanghai Caojing 2x1000MW Power Plant.

Siemens Ltd., China, Power Transmission and Distribution, Energy Automation

Siemens Power Automation Ltd.

Building 4, Hua Rui Industry Park,
88 Cheng Xin Avenue, Jiangning Economic &
Technological Development Zone
Nanjing, China 211100
Tel: 86 25 51170188 Fax: 86 25 52114982

Sales Contacts

Beijing Tel: 86 10 64763842
Shanghai Tel: 86 21 24085218
Guangzhou Tel: 86 20 37182382
Chengdu Tel: 86 28 86199499 ext: 4005
Wuhan Tel: 86 27 85486688 ext: 5009
Shengzhen Tel: 86 755 26935188 ext: 3311
Hangzhou Tel: 86 571 87652999 ext: 6013
Jinan Tel: 86 531 82666088 ext: 6506
Fuzhou Tel: 86 591 87500888 ext: 5800
Xian Tel: 86 29 88319898 ext: 6626

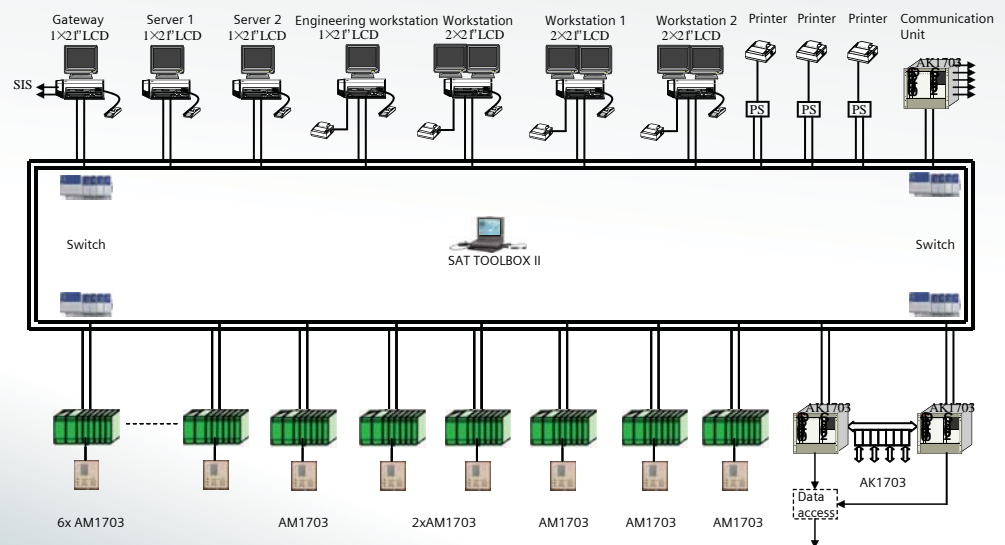
Scope of supply

Power Supply

- Network control system including telecontrol and AGC excluding HMI
- 2 x AK1703 Data processing and communication devices
- 12 x AM1703 I/O automation and control units

SIPROTEC Protection Relays

- 110 x 7SJ62 multifunction overcurrent protection relays
- 43 x 7SJ68 multifunction overcurrent protection relays
- 98 x 7UT612 transformer differential protection relays
- 13 x 7UT613 transformer differential protection relays
- 6 x 7UT635 transformer differential protection relays
- 8 x 7SD6 line differential protection relays
- 12 x 7UM6 generator protection relays
- 3 x 6MD61 bay control units
- 174 x 7PA mini relays



Shanghai Caojin Powerplant (2x1000 MW) 500kV network control system

Shanghai Caojing Power Plant Project

Siemens Supplies SICAM1703 Network Control System Solution

www.siemens.com.cn/ea

SIEMENS